

PROJECT: TYPE:

LOCATION: CAT:



Description

Low-profile LED Linear lighting with superb light output for indoor and outdoor use

Features

- Parallel wiring to each LED ensures that if one LED goes out, the rest of the cutting increment stays lit
- Flexible rubber housing with clear PVC lens are protected with UV inhibitor
- Various mounting, linking, and power accessories available (sold separately)
- Minimum bend radius of 3.9"

Mounting

Mounting clips or mounting track

Applications

Accent Lighting, Coves, Ledges, Shelves

Warranty

1 year Standard Linear

Technical Information



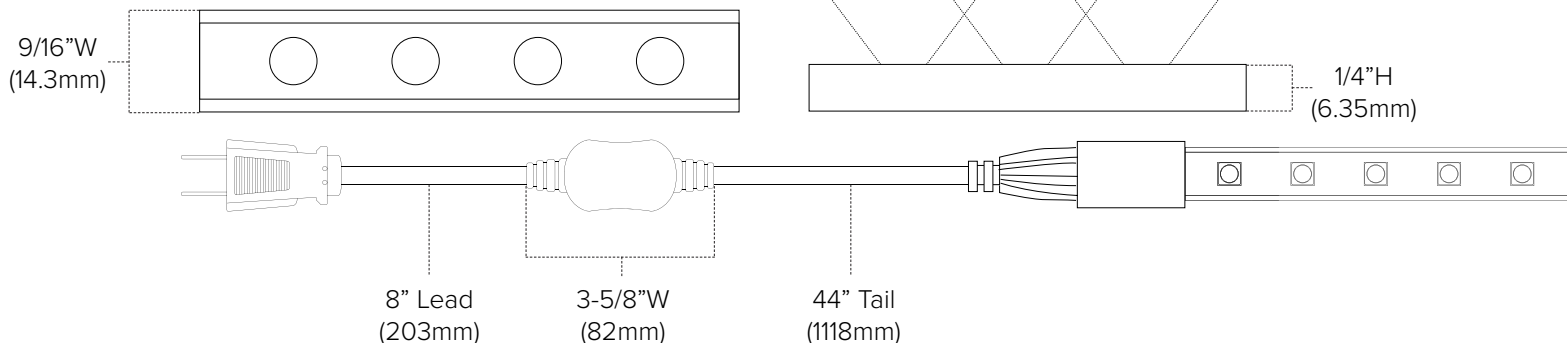
Hybrid 2 Reels				
Voltage	120V AC, 60Hz			
CCT	2700K	5000K	BLUE	RED
Length	150 feet			
Wattage	2.3W/ft			
Lumens	145Lm/Ft	180Lm/Ft	25Lm/Ft	18Lm/Ft
nm	N/A	N/A	465nm	625nm
CRI	82+ CRI	82+ CRI	N/A	N/A
Max Run	150 feet			
Cuttability	18"			
Beam Angle	120°			
Dimming	10-100% with most incandescent, low-voltage magnetic, and low-voltage electronic dimmers*			
Operating Temp	-30°C (-22°F) to 45°C (113°F)**			
Ambient Temp	-20°C (-4°F) to 42°C (107.6°F)**			
Storage Temp	-10°C (14°F) to 30°C (86°F)**			
LED Spacing	Every 5/8"; 20 per foot			
Rating	cETLus Listed [†] ; Indoor/Outdoor; IP65			
Rated Life	30,000 Hours			

*Minimum loads may apply. Per the NEC, switched wall outlets cannot be used with wall dimmers.

**Do not install in inclement weather or extreme temperature conditions (i.e. -25°C (-13°F) and below)

† cETLus Listing for 120V is void if product is cut

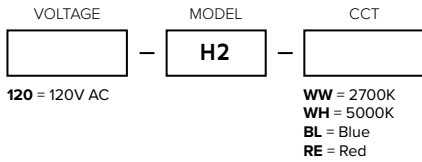
Dimensions





Ordering Information

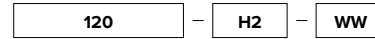
Reels



Hybrid 2 120V Reels Include:

- (1) 5ft removable power cord with 8A inverter
- (1) Removable end cap on dead end
- (4) ADDITIONAL H2-CONKIT-8A
- (50) Clear plastic mounting clips with screws

Example Part # **120-H2-WW**



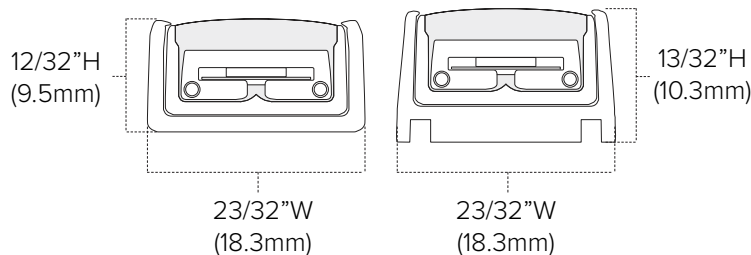
Power Accessories

Image	Part Number	Description
	H2-CONKIT-8A	120V power connection kit includes: (1) 120V AC 5ft power cord with 8A inverter, (1) power pin, (1) end cap, and (2) 4" sections of shrink tube (120V Hybrid 2 Reels only)

Accessories

Image	Part Number	Description
	H2-SPL	Splice Kit includes (1) connection sleeve assembly, (2) power pins, and (2) 3" sections of shrink tube
	H2-JUMP5	6" jumper/linking cable for Hybrid 2 Reels includes (2) pin connectors and (2) 4" sections of shrink tube
	H2-JUMP3	3ft jumper/linking cable for Hybrid 2 Reels includes (2) pin connectors and (2) 4" sections of shrink tube
	H2-JUMP10	10ft jumper/linking cable for Hybrid 2 Reels includes (2) pin connectors and (2) 4" sections of shrink tube
	H2-TRACK-3	3ft clear plastic mounting track (23/32"W x 13/32"H) / Plastic track is recommended for indoor use only
	H2-CHAN-3	3ft aluminum mounting channel (23/32"W x 12/32"H)
	H2-ENDS	Clear plastic end caps for Hybrid 2 (bag of 10)
	H2-CLIPS	Clear plastic mounting clips with mounting screws for Hybrid 2 (bag of 10)

Cut-view when used with
H2-TRACK-3 or H2-CHAN-3
(sold separately)



DO NOT TWIST, HANG VERTICALLY, SUSPEND UNSUPPORTED IN THE MIDDLE, OR BEND ALONG SHORT SIDE

